




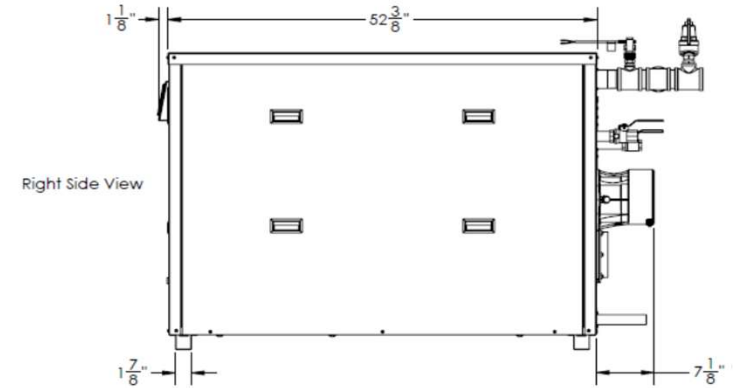
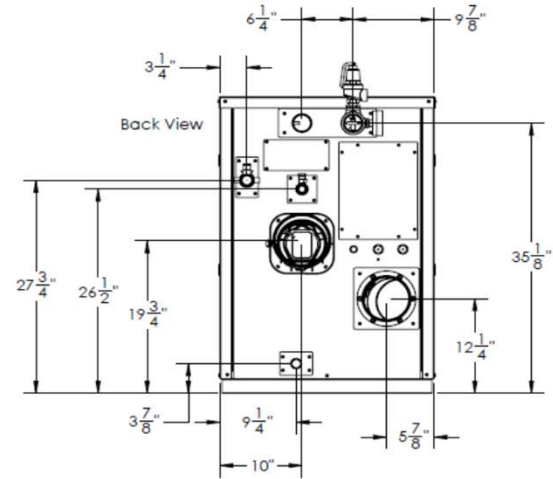
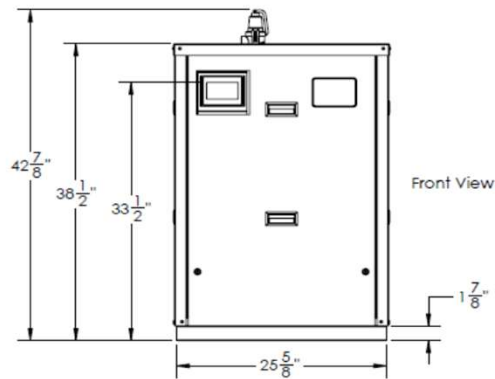
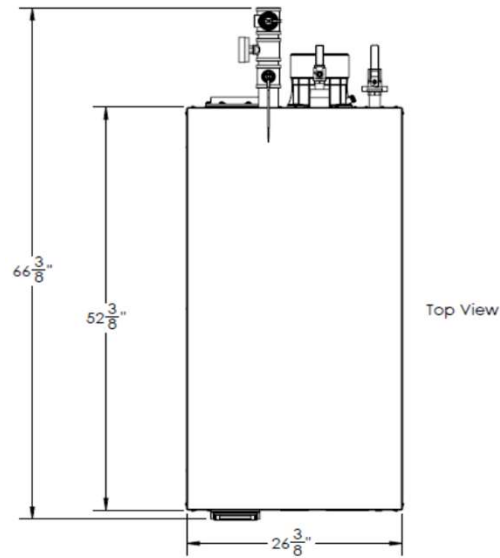
AMP-L CONDENSING BOILERS - SUBMITTAL DATA SHEET

| RATINGS AND CAPACITIES | | |
|------------------------------------|-----------------------|---------|
| Input - Low Fire | 100,000 | BTU/HR |
| Input - High Fire | 1,000,000 | BTU/HR |
| Output - High Fire | 970,000 | BTU/HR |
| Boiler Horsepower | 29.0 | BHP |
| Thermal Efficiency | 97.0% | |
| Heating Surface | 75.4 | Sq.Ft. |
| Water Content | 8.1 | Gallons |
| Fuel | Natural Gas or LP Gas | |
| Firing Rate | Full Modulation | |
| Burner Turndown | 10:1 | |
| Low NOx Emissions | < 10 ppm | |
| Inlet Gas Pressure (NG) | 4" wc | Min. |
| Inlet Gas Pressure (LP) | 8" wc | Min. |
| | 14" wc | Max. |
| Shipping Weight, Approximate | 600 | lbs |

| | |
|--|---|
| ASME Section IV (Max 160 PSIG / 210°F) |  |
| ETL Certified to ANSI Z21.13 / CSA 4.9 |  |
| ETL Certified to UL 795 / CSA 3.1 |  |

| DIMENSIONS / CONNECTIONS | | |
|---------------------------------------|---------|----------|
| - Height | 38-1/2" | (Note 1) |
| - Width | 26-3/8" | (Note 2) |
| - Length | 53-7/8" | (Note 3) |
| - Supply Connection | 2" NPT | |
| - Return Connection | 2" NPT | |
| - Vent / Air Intake Connections | 6" | |
| - Gas Connection | 1" NPT | |

| STANDARD EQUIPMENT | |
|--|--|
| - ASME Stainless Steel Heat Exchanger | |
| - Stainless Steel Pre-Mix Burner | |
| - Variable Speed Combustion Blower | |
| - Concert Control™ (24v) | |
| - High Limit Temperature Control, Manual Reset | |
| - Water Flow Switch | |
| - Low Water Cutoff, Manual Reset | |
| - Condensate Trap | |
| - Blocked Condensate Switch | |
| - ASME Pressure Relief Valve | |
| - Temperature & Pressure Gauge | |
| - Supply & Return Temperature Sensors | |
| - Flue Gas Temperature Sensor | |
| - Modulating Gas Valve | |
| - Direct Spark Ignition | |
| - High/Low Gas Pressure Switches, Manual Reset | |
| - Combustion Air Switch | |
| - Blocked Vent Switch | |
| - 120 VAC Only | |
| - Amp Draw: 8 Amps | |
| - Category II and IV Venting | |
| - Individual or Common (Engineered) Vent System | |
| - CPVC, Polypropylene & Stainless Steel Acceptable *Material | |
| - Sealed or Room Combustion Air Intake | |
| - Up to 200 ft equivalent venting / air intake | |



- NOTES:
1. Height dimension is from floor to top of jacket.
 2. Length is from jacket front to jacket rear.
 3. Dimensions shown are for reference only

| FLOWS AND PRESSURE DROPS | | |
|--------------------------|------------|--------------|
| Delta T | Flow (GPM) | Δ P (Ft. Hd) |
| 20°F Δ T | 97 | 14.6 |
| 25°F Δ T | 78 | 9.9 |
| 30°F Δ T | 65 | 7.2 |
| 35°F Δ T | 55 | 5.5 |
| 40°F Δ T | 49 | 4.4 |
| 45°F Δ T | 43 | 3.6 |
| 50°F Δ T | 39 | 3.0 |
| 55°F Δ T | 35 | 2.5 |

AMP-1000L

PROPERTY OF
THERMAL SOLUTIONS
Manufacturing Equipment for Hot Water Systems

PO BOX 3244 | LANCASTER, PA 17601

**INNOVATIVE EQUIPMENT FOR
HOT WATER SYSTEMS**

WWW.THERMALSOLUTIONS.COM

Updated 9/15/23

* Flue system material shall be capable of continuous operation at 210°F or higher and shall be certified to UL 1738 – venting system for gas-burning appliances cat II, III and IV.